

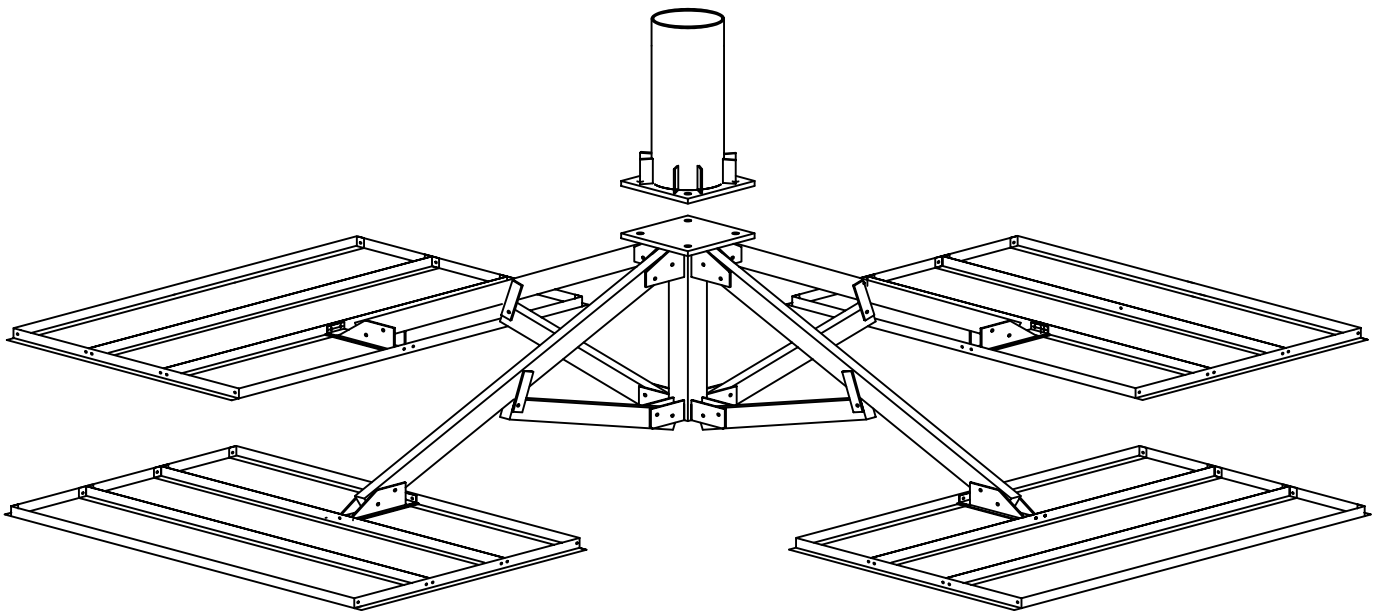
BAIRD

SATELLITE SUPPORTING SYSTEMS

A division of Baird Industries, Inc.

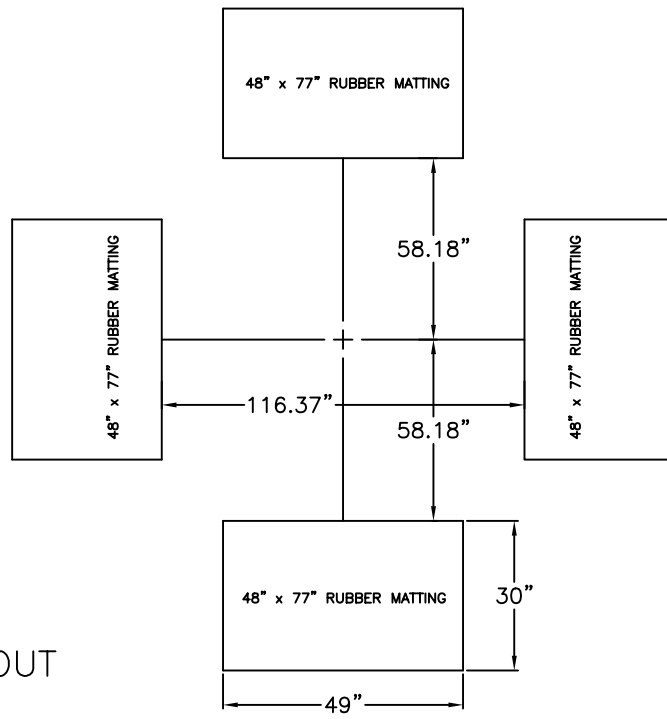
3160 LOGAN AVE.
WATERLOO, IA 50703

PH:319-233-3561
FAX:319-235-7653
EMAIL:baird@forbin.net

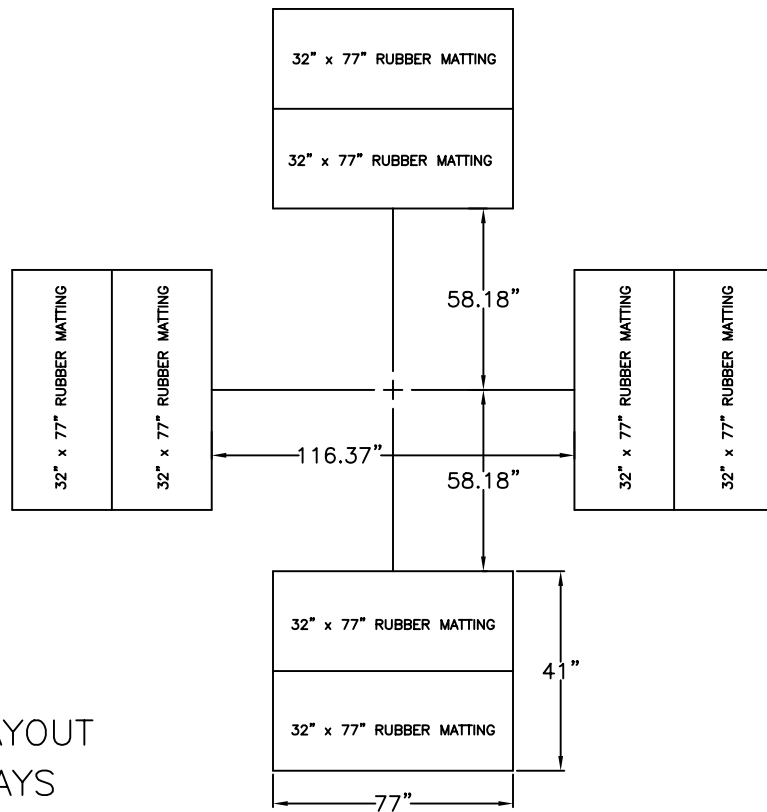


PXL-2HD ASSEMBLY INSTRUCTIONS

(SHOWN WITH 4'x6' BALLAST TRAYS)



RUBBER MATTING LAYOUT
 4'x6' BALLAST TRAYS



RUBBER MATTING LAYOUT
 5'4"x6' BALLAST TRAYS

- 1.) SELECT DESIRED LOCATION ON THE ROOF.(THE AREA MUST BE CAPABLE OF SUPPORTING THE WEIGHT OF THE SYSTEM). FOR A SITE SPECIFIC BALLAST CALCULATION CALL BAIRD SATELLITE @ 319-233-3561. BE PREPARED WITH THE FOLLOWING INFORMATION, SITE LOCATION, ROOF HEIGHT, ROOF TYPE(tar&gravel, rubber membrane, concrete, etc.), ANTENNA INFORMATION (size, type, quantity). WE WILL CALCULATE THE AMOUNT OF BALLAST WEIGHT(CONCRETE BLOCK) THAT MUST BE PLACED ON THE MOUNT TO PREVENT SLIDING OR OVERTURNING.
- 2.) AFTER CHOOSING THE MOUNT LOCATION SWEEP AWAY ANY LOOSE MATERIAL FROM THE AREA WHERE THE MOUNT WILL BE PLACED. THEN LAYOUT THE RUBBER MATTING AS SHOWN IN THE DIAGRAM ABOVE.

BAIRD

SATELLITE SUPPORTING SYSTEMS

A division of Baird Industries, Inc.

3160 LOGAN AVE.
WATERLOO, IA 50703

PH:319-233-3561
FAX:319-235-7653
EMAIL:baird@forbin.net

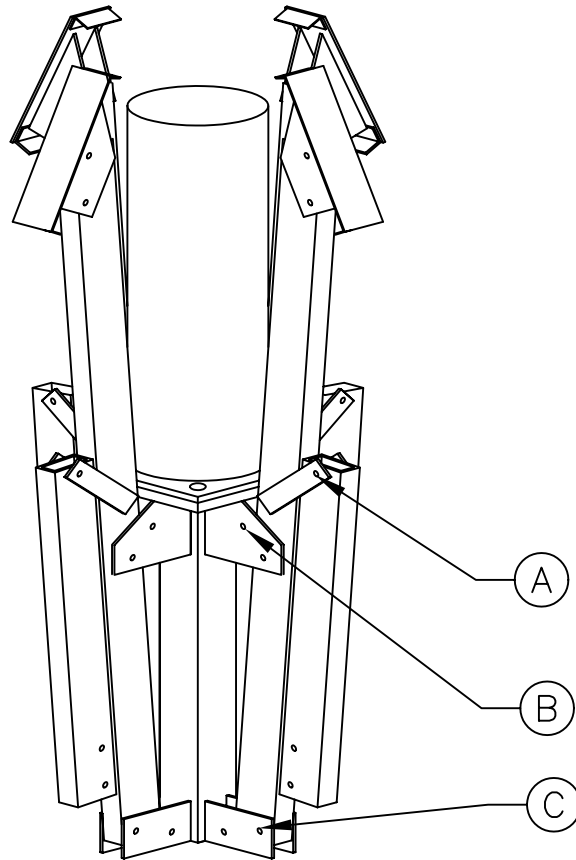


FIGURE 1

THE PXL-2HD MOUNT IS SHIPPED ASSEMBLED
SIMILIAR TO THE MOUNT SHOWN IN FIGURE 1

- 1.) LOOSEN HARDWARE AT POSITION "A" ON EACH LEG
- 2.) REMOVE HARDWARE FROM POSITIONS "B" & "C". REMOVE LEG ASS'Y FROM THE BASE. REPEAT PROCESS FOR EACH LEG ASS'Y. SAVE HARDWARE AS IT WILL BE RE-USED.
- 3.) REMOVE HARDWARE BAG LOCATED INSIDE THE MAST PIPE (OR ROLLED UP IN THE RUBBER MATTING)
- 4.) PLACE A 3"-4" BLOCK UNDER THE BASE ASS'Y. (NOT NECESSARY BUT WILL EASE INSTALLATION OF THE ARM ASSEMBLIES).
- 5.) TO ATTACH ARM ASS'Y TO THE BASE, PLACE THE LONG TUBE OF THE LEG LEG ASS'Y INTO THE UPPER FINS OF THE BASE AND ATTACH USING (2) 1/2"x3-1/4" BOLTS, NUTS & LOCKWASHERS. NEXT, PLACE THE BRACE TUBE INTO THE LOWER FINS AND SECURE. REPEAT THIS FOR THE OTHER THREE ARM ASSEMBLIES.
- 6.) TIGHTEN ALL HARDWARE

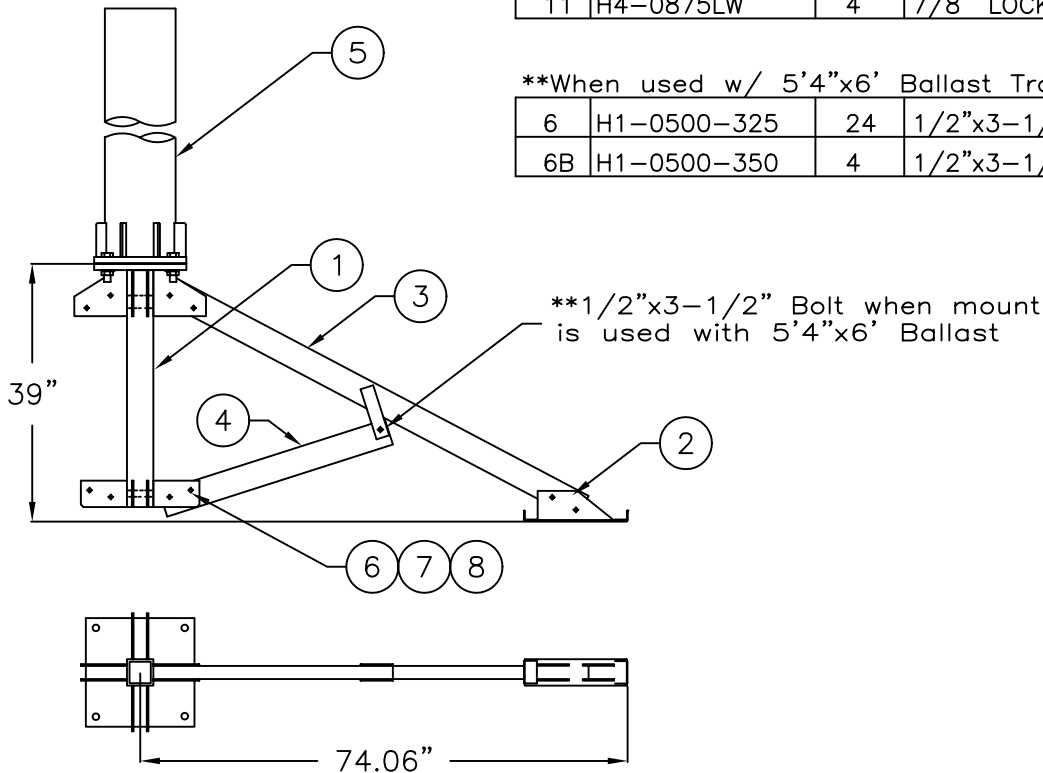
3160 LOGAN AVE.
WATERLOO, IA 50703

PH:319-233-3561
FAX:319-235-7653
EMAIL:baird@forbin.net

SYM.	PART NO.	QTY.	DESCRIPTION
1	AB1515H(14-1)	1	PXL-2 HD BASE ASS'Y
2	AB1070H	4	PXL-2HD FOOT ASS'Y
3	AB1516H	4	PXL-2 HD ARM ASS'Y (72" LONG)
4	AB1145H	4	PXL-2 HD BRACE (36" LONG)
5	AS REQ'D	1	MAST ASS'Y (DIA. & LNGTH AS REQ'D)
6	H1-0500-325	28**	1/2"x3-1/4" BOLT GR.5
7	H2-0500HN	28	1/2" NUT
8	H4-0500LW	28	1/2" LOCKWASHER
9	H1-0875-300	4	7/8"x3" BOLT GR.8
10	H2-0875HN	4	7/8" NUT
11	H4-0875LW	4	7/8" LOCKWASHER

**When used w/ 5'4"x6' Ballast Trays then use:

6	H1-0500-325	24	1/2"x3-1/4" BOLT GR.5
6B	H1-0500-350	4	1/2"x3-1/2" BOLT GR.5



3 LEGS OMITTED FOR CLARITY

- 1.) THE FOLLOWING INSTRUCTIONS WILL BE HELPFUL IF THE UNIT WAS NOT RECEIVED PACKAGED AS SHOWN IN FIG. 1
- 2.) CHECK TO SEE THAT THERE ARE NO MISSING PARTS. (HARDWARE IS LOCATED IN THE MAST PIPE OR ROLLED UP IN THE RUBBER MATTING.)
- 3.) LOCATE A 72" ARM, THEN WITH THE TABS POINTED TOWARDS THE GROUND & AWAY FROM THE BASE, ATTACH THE ARM TO THE UPPER FINS ON THE BASE USING (2) 1/2"x3-1/4" BOLTS, NUTS & LOCKWASHERS. (NOTE: LEAVE ALL HARDWARE LOOSE UNTIL ASSEMBLY IS COMPLETE).
- 4.) ATTACH THE 36" BRACE TO THE LOWER FINS ON THE BASE USING (2) 1/2"x3-1/4" BOLTS, NUTS & LOCKWASHERS. ATTACH THE OTHER END OF THE BRACE TO THE THE TABS ON THE 72" ARM USING (1) 1/2"x3-1/4" BOLT, NUT & LOCKWASHER. (NOTE: THE SINGLE HOLE OF THE BRACE SHOULD BE TOWARDS THE TOP OF THE PIECE.)
- 5.) ATTACH A SHOE TO THE END OF THE ARM USING (2) 1/2"x3-1/4" BOLTS, NUTS & LOCKWASHERS.
- 6.) REPEAT THE PROCEDURE FOR THE REMAINING THREE LEGS.
- 7.) ATTACH THE O.D. MAST PIPE USING (4) 5/8"x2" BOLTS, NUTS & LOCKWASHERS.
- 8.) TIGHTEN ALL HARDWARE.

BAIRD

SATELLITE SUPPORTING SYSTEMS

A division of Baird Industries, Inc.

3160 LOGAN AVE.
WATERLOO, IA 50703PH:319-233-3561
FAX:319-235-7653
EMAIL:baird@forbin.net

4' x 6' BALLAST TRAYS

TWO BAGS-EACH CONTAINS:

(36) 3/8" x 1" BOLT

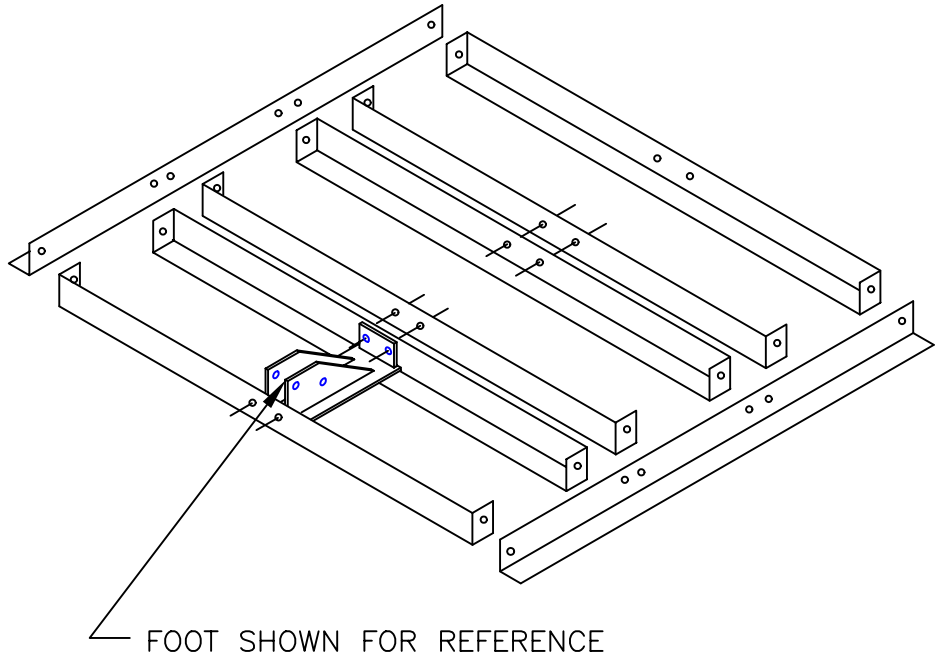
(36) 3/8" NUT

(36) 3/8" LOCKWASHER

TWO BUNDLES-EACH CONTAINS:

(12) 72" BALLAST ANGLE

(4) 48" SIDE PAD



BALLAST TRAY OPTIONS

5'4" x 6' BALLAST TRAYS

TWO BAGS-EACH CONTAINS:

(48) 3/8" x 1" BOLT

(48) 3/8" NUT

(48) 3/8" LOCKWASHER

TWO BUNDLES-EACH CONTAINS:

(12) 72" BALLAST ANGLE

(4) 64" SIDE PAD

ONE BUNDLE-CONTAINS:

(8) 72" BALLAST ANGLE

(4) RH STABILIZER ANGLES

(4) LH STABILIZER ANGLES

